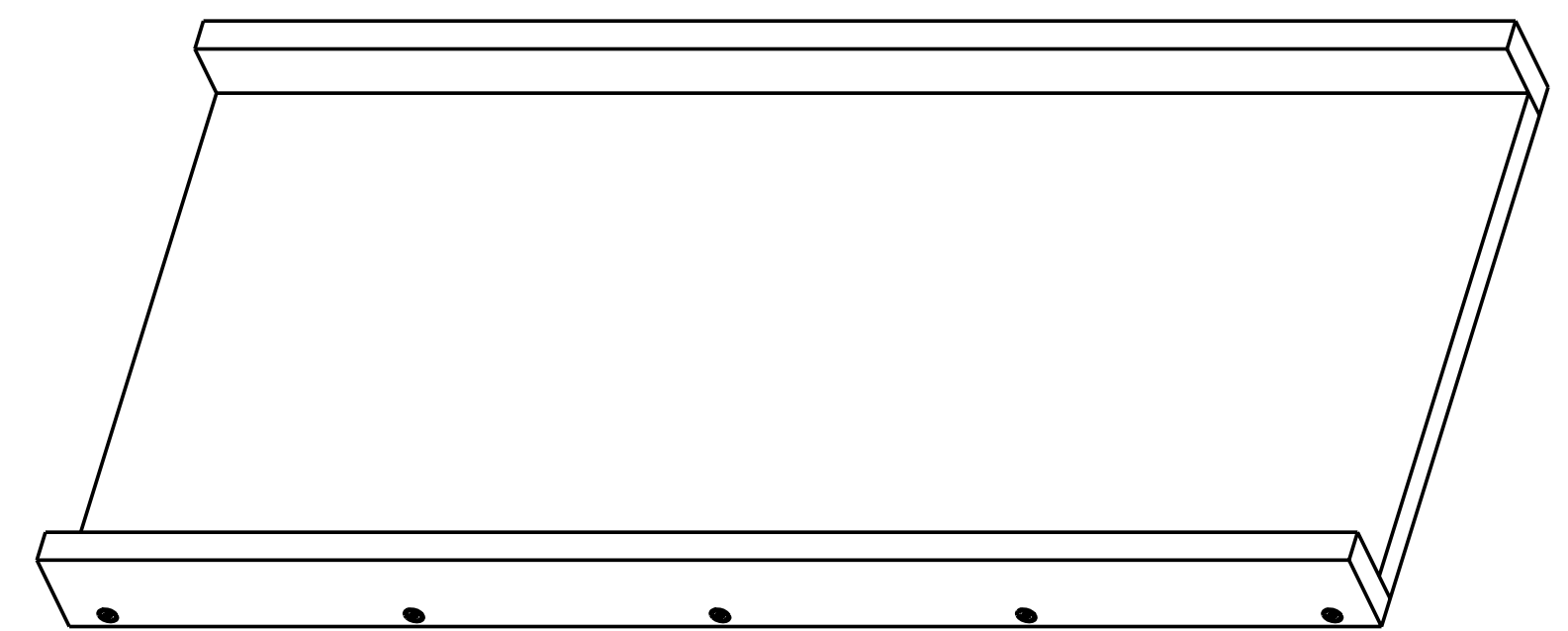
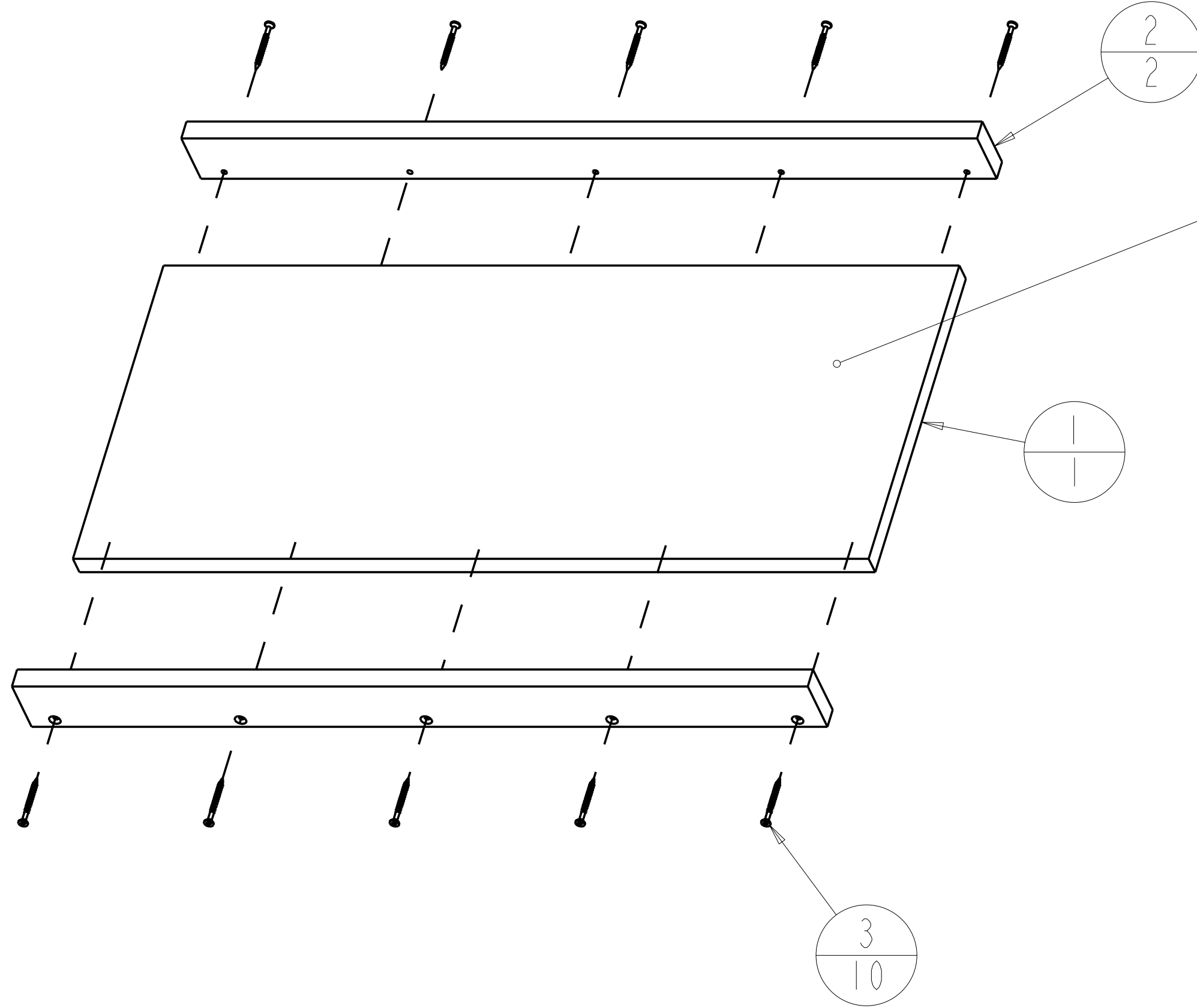


REV	ZONE	DATE	DESCRIPTION OF CHANGE

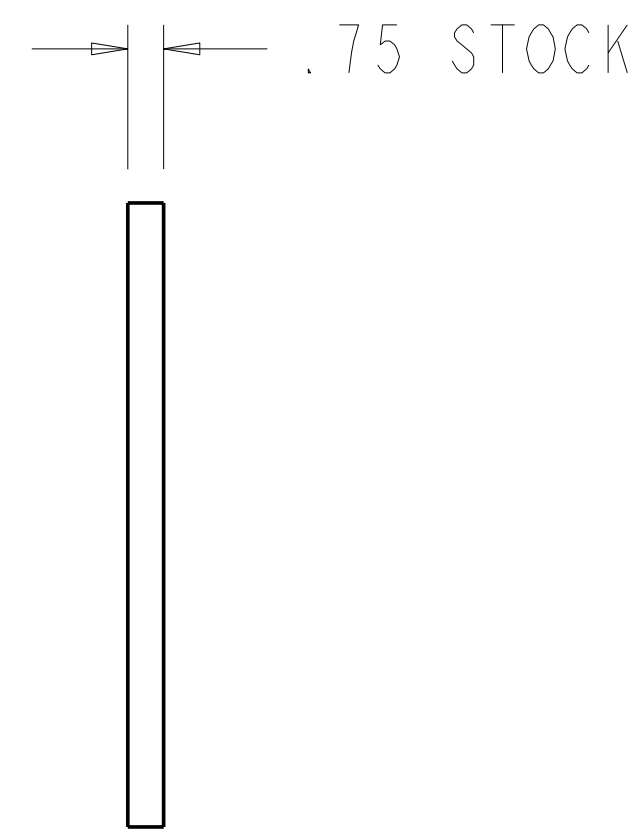


ALIGN AND DRILL
PILOT HOLES IN
BOTTOM PANEL (10X)

ISOMETRIC VIEW
REFERENCE ONLY
SCALE 0.250

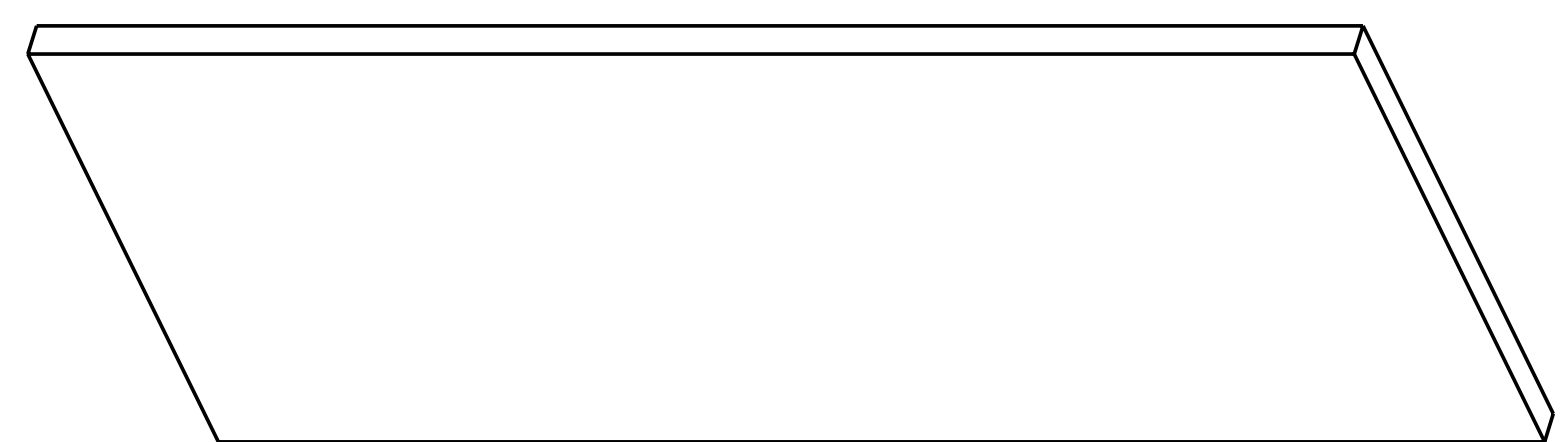
10	SCED#8-10FA-2.0AB	DRYWALL SCREW - COURSE #8, 2.0" LONG			3
2	P000-00066	SCANNING SLED RAIL			2
1	P000-00065	SCANNING SLED - BOTTOM			1
⊗	A000-00064	SCANNING SLED ASSEMBLY			⊗
QTY	PART NUMBER	DESCRIPTION	MATERIAL	SPECIFICATION	ITEM
UNLESS NOTED OTHERWISE DIM ARE IN INCHES, TOL ARE: .0 ± 0.1 .00 ± 0.01		SIGNATURES	DATE	LHR TECHNOLOGIES, INC. 710 EAST SOUTHMORE - PASADENA, TEXAS 77502 713-473-6545 info@lhrtechnologies.com	
SURFACE FINISH IN MICROINCHES RMS UNLESS NOTED OTHERWISE N/A		DR DAVID JOCHIM	04-Feb-07	SCANNING SLED ASSEMBLY	
NEXT ASSY N/A		ENG DAVID JOCHIM		PROJECT MWM - COMMERCIAL	
DWG FILENAME A000-00064_SCANNING_SLED.30.DRW		CH		SCALE C	REV A
		APP		DATE 04-Feb-07	DWG NO A000-00064
				ORG ENGINEERING	SHEET 1 OF 1

REV	ZONE	DATE	DESCRIPTION OF CHANGE
-----	------	------	-----------------------



HARD SURFACE SUCH AS FORMICA SUGGESTED FOR EASY CLEANUP

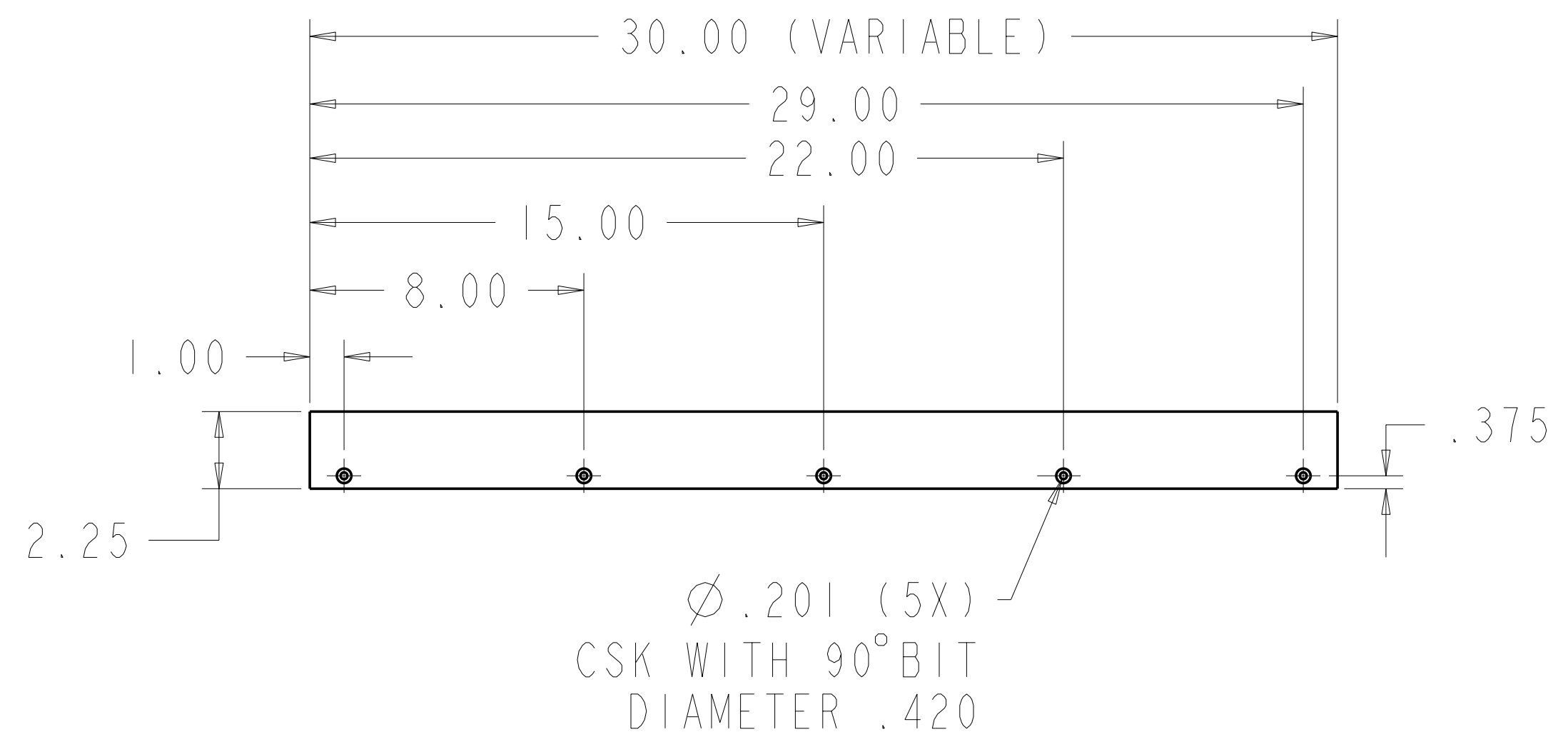
SUGGESTED MATERIAL:
HIGH DENSITY PARTICLE BOARD WITH FORMICA VENEER



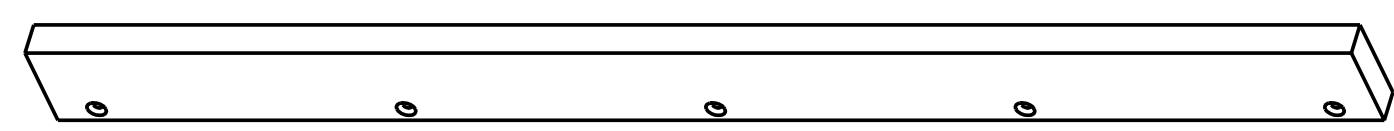
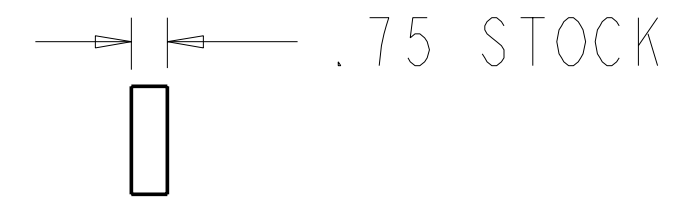
ISOMETRIC VIEW
REFERENCE ONLY
SCALE 1/4

SCANNING SLED - BOTTOM		HIGH DENSITY MDF FORMICA ON ONE SIDE			
QTY	DESCRIPTION	MATERIAL	SPECIFICATION	ITEM	
UNLESS NOTED OTHERWISE DIM ARE IN INCHES, TOL ARE: .0 ± .1 .000 ± .005 .00 ± .02 ANGULAR ± .5°		LHR TECHNOLOGIES, INC. 710 EAST SOUTHMORE - PASADENA, TEXAS 77502 713-473-6545 info@lhrtechnologies.com			
SURFACE FINISH IN MICROINCHES RMS UNLESS NOTED OTHERWISE		N/A ✓			
NEXT ASSY A000-00064		SCANNING SLED - BOTTOM			
DWG FILENAME P000_00065_SCANNING_SLED_BOTT.DRW		PROJECT MWM - COMMERCIAL			
ENGINEER: DAVID JOCHIM	SCALE 1/4	DATE 30-Sep-06	DWG NO P000-00065	REV A	
DRAFTER: DAVID JOCHIM	SCALE 1/4	ORG ENGINEERING	SHEET 1 OF 1		

REV	ZONE	DATE	DESCRIPTION OF CHANGE
-----	------	------	-----------------------



SUGGESTED MATERIAL:
HIGH DENSITY PARTICLE
BOARD WITH FORMICA VENEER



SCANNING SLED RAIL		HIGH DENSITY MDF FORMICA ON ONE SIDE			
QTY	DESCRIPTION	MATERIAL	SPECIFICATION	ITEM	
UNLESS NOTED OTHERWISE DIM ARE IN INCHES. TOL ARE: .0 ± .1 .000 ± .005 .00 ± .02 ANGULAR ± .5°		LHR TECHNOLOGIES, INC. 710 EAST SOUTHMORE - PASADENA, TEXAS 77502 713-473-6545 info@lhrtechnologies.com			
SURFACE FINISH IN MICROINCHES RMS UNLESS NOTED OTHERWISE		N/A			
NEXT ASSY A000-00064		PROJECT MWM - COMMERCIAL			
DWG FILENAME P000_00066_SCANNING_SLED_RAIL.DRW		SIZE C	DATE 30-Sep-06	DWG NO P000-00066	REV A
ENGINEER: DAVID JOCHIM		SCALE 1/4	ORG ENGINEERING	SHEET 1 OF 1	
DRAFTER: DAVID JOCHIM					